

### Sharp Top Chain 1

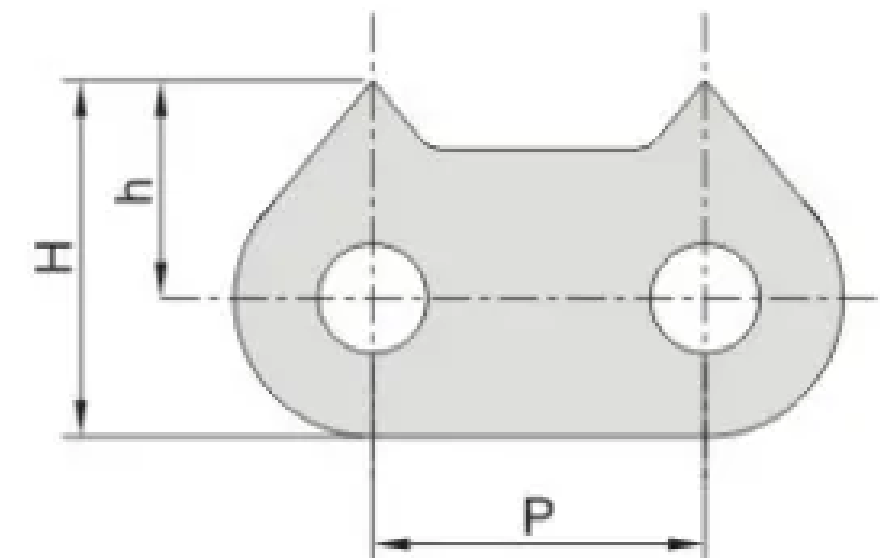


### Features & Advantages



- All components of specialized chains are manufactured with precise tolerances and processes to ensure optimal performance in terms of chain strength, accuracy, firm connections, rigidity wear resistance, impact resistance, and environmental adaptability

### Technical Specifications



Email | [sales@hdsusa.us](mailto:sales@hdsusa.us)

Tel | +1 (832) 808-5116 Tel | +1 (832) 808-5164



**HDS**  
Chain No.

**C60JCL2**

**20B-1350-2**

**C20B-1350-1**

Pitch

P/mm

19.05

31.75

31.75

Plate Depth

H(Max)

22.4

19.8

19.8

Plate Depth

h(Max)

13.4

33

33