

Sharp Top Chain 5

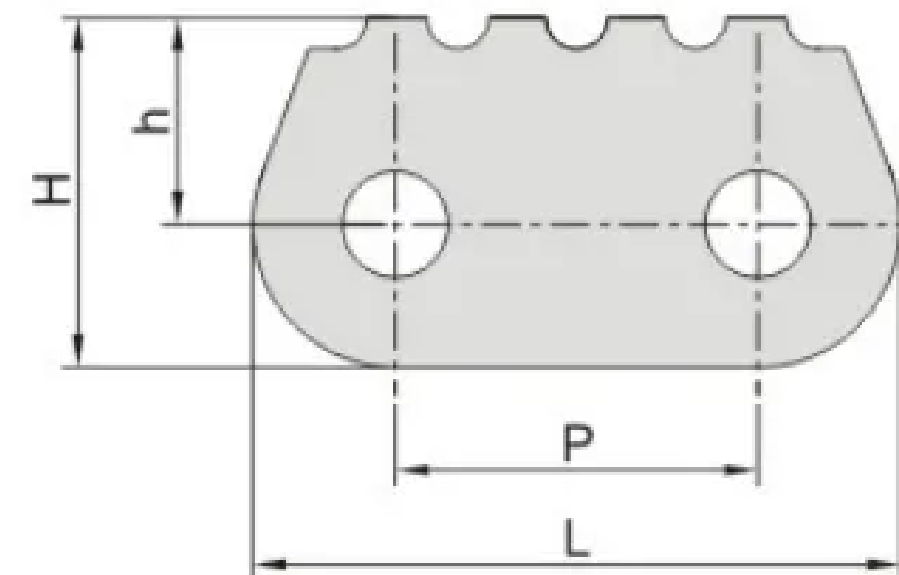


Features & Advantages



- All components of specialized chains are manufactured with precise tolerances and processes to ensure optimal performance in terms of chain strength, accuracy, firm connections, rigidity wear resistance, impact resistance, and environmental adaptability

Technical Specifications



Email | sales@hdsusa.us

Tel | +1 (832) 808-5116 Tel | +1 (832) 808-5164





16B-1181F1

24B-1809-1

24B-1808-1

24B-1808-2

Pitch

P/mm

25.4

38.1

38.1

38.1

Plate Depth

H(Max)

26.5

38.5

38.5

38.5

Plate Depth

H(Max)

16

21

21

21

Plate Length

L

46.4

55.6

55.6

55.6