

Sharp Top Chain 2

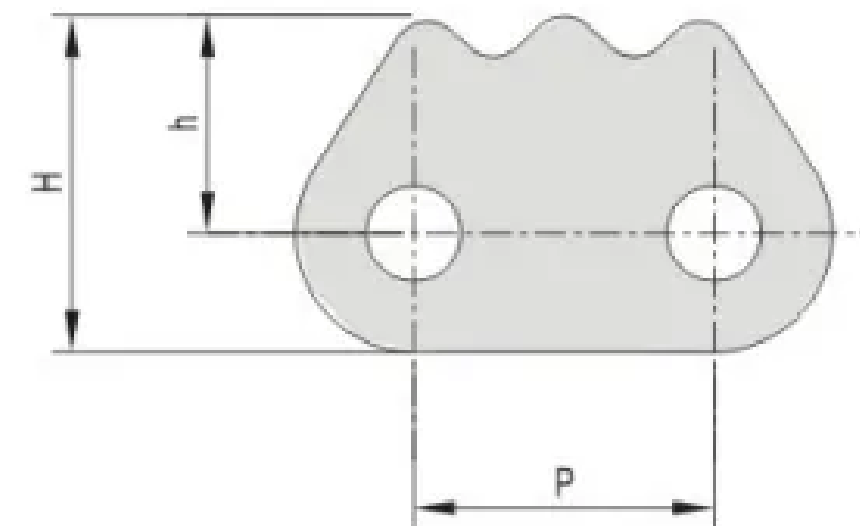


Features & Advantages



- All components of specialized chains are manufactured with precise tolerances and processes to ensure optimal performance in terms of chain strength, accuracy, firm connections, rigidity wear resistance, impact resistance, and environmental adaptability

Technical Specifications





16B-1180-1

C16B-1180-2

16B-1180-3

C16BSLR-1180

Pitch

P/mm

25.4

25.4

25.4

25.4

Plate Depth

H(Max)

22.5

22.5

22.5

22.5

Plate Depth

h(Max)

12.2

12.2

12.2

12.2