

Cranked Link Chain

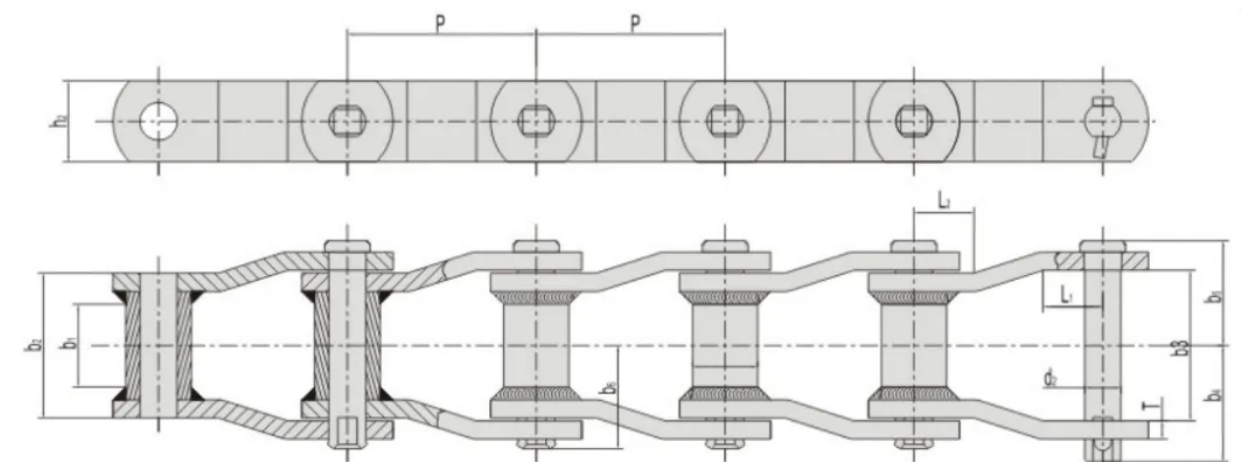


Features & Advantages



- The shape of the chain plate is curved. Such shape and structure are relatively strong, so the bearing capacity is relatively strong and can be used in the transportation and assembly of heavier items.

Technical Specifications



Email | sales@hdsusa.us

Tel | +1 (832) 808-5116 Tel | +1 (832) 808-5164



HDS Chain No.		W78	W82	W106	W110	W111	W124	W124H	W132
Pitch	P/mm	66.27	78.1	152.4	152.4	120.9	101.6	103.2	153.67
Bush Diameter	d1(Max)	22.9	31.5	37.1	32	37.1	37.1	41.7	44.7
Inner Width Of Small Side	b1(Min)	28.4	31.8	41.2	46.7	57.2	41.2	41.2	76.2
Pin Diameter	d2(Max)	12.78	14.35	19.13	19.13	19.13	19.13	22.3	25.48
Bush Inner Diameter	d3(Max)	12.9	14.48	19.25	19.25	19.25	19.25	22.43	25.6
Plate Thickness	h2(Max)	28.4	31.8	38.1	38.1	38.1	38.1	50.8	50.8
Crah Point Diameter	L1(Min)	17	19.8	26.7	26.7	26.7	26.7	28.2	30
Crah Point Diameter	L2(Min)	17	21.1	27.2	27.2	27.2	27.2	30.5	30.5
Outer Width Of Small Side	b2(Max)	51	57.4	71.6	76.5	85.9	71.6	76.5	111.8
Inner Width Of Big Side	b3(Min)	51.6	57.9	72.1	77	86.4	72.1	77	112.3
Distence Between Pin Lach End and Middleline	b4(Max)	45.2	48.3	62.2	62.2	69.8	62	70.6	88.1
Distence Between Pin Top End And Middleline	b5(Max)	39.6	41.7	56.4	54.9	63.5	56.4	62.5	79.2
Distence Between Rivet End And Middleline	b6(Max)	42.7	45.2	59.4	59.4	64.3	59.4	65.8	83.3
Plate Thickness	T	6.4	6.4	9.7	9.7	9.7	9.7	12.7	12.7
Pin Heat Treatmnet	Q(Min) KN	93.4	100.1	169	169	169	169	275.8	275.8
All Parts Heat Treatmnet	Q(Min) KN	106.8	131.2	224.6	224.6	224.6	224.6	355.9	378.1