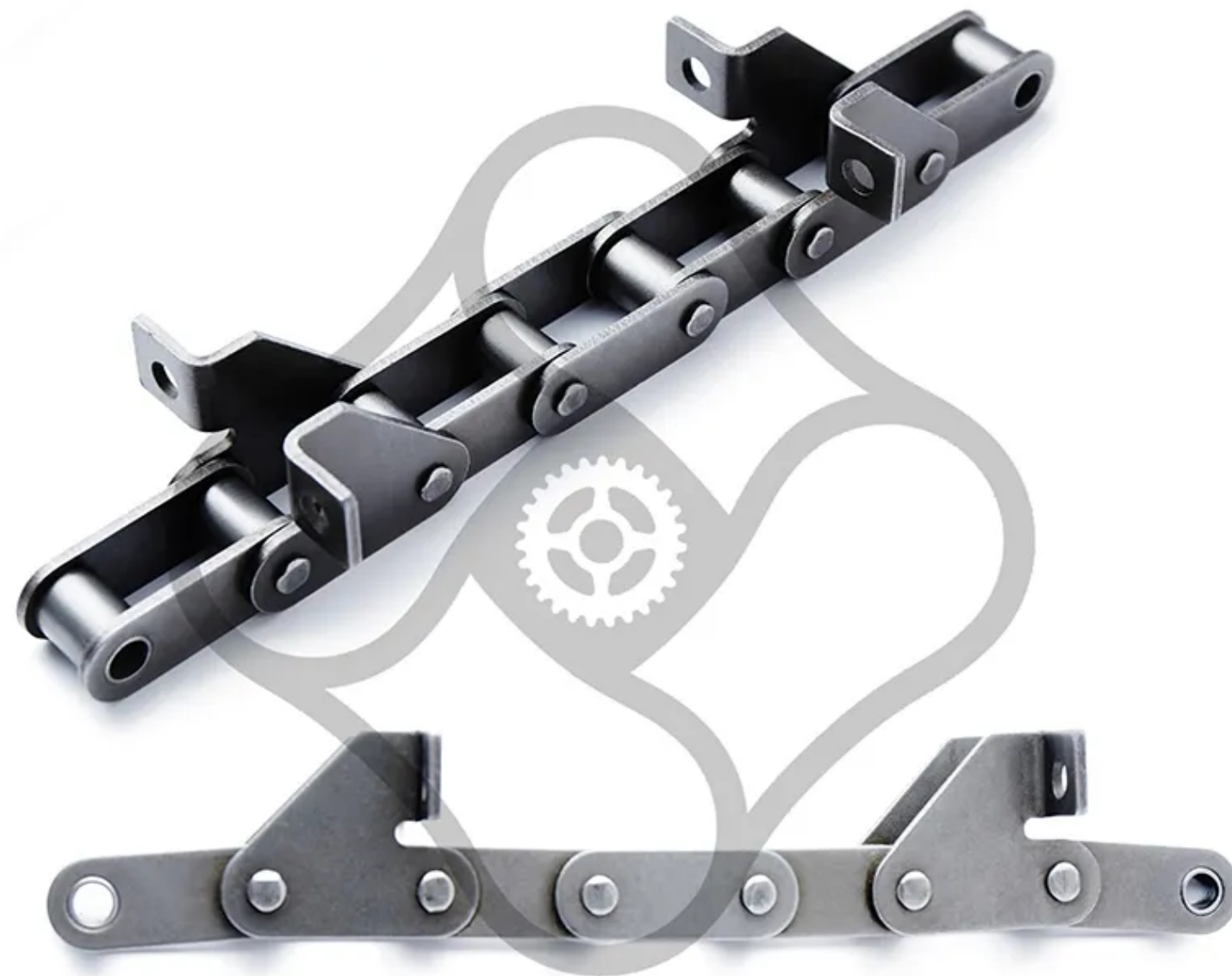


Roller Chains With Sd Attachment

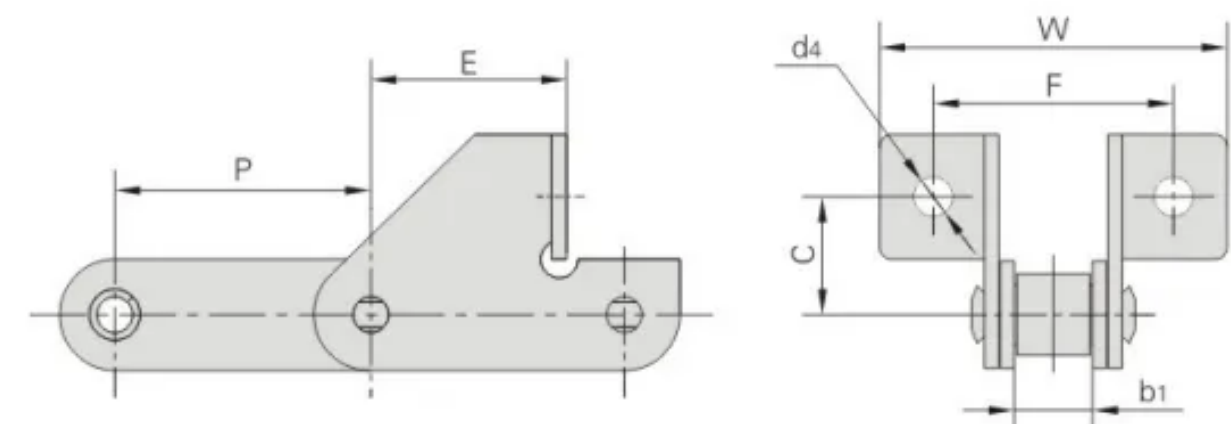


Features & Advantages



- HDS Agricultural roller chains are built with special steel rollers enhancing rotation on the bushing while reducing risk of wear and tear on the sprocket
- Optimized Heat Treatment Process
- All chain components are well surface-treated to achieve maximum strength and wear and fatigue resistance
- Agricultural chains are precisely Pre-loaded during manufacturing to minimize its initial elongation and improve its performance dramatically
- Chain plate: Made of high-quality medium carbon steel
- Electric plating technology makes our agri chains even stronger and more impact-resistant, increasing the durability and load-bearing features of Carbon Steel, which is a good choice to make as well
- Environmental protection super wear-resistant grease imported from Germany
- All components are manufactured to exact tolerances to provide optimal performance

Technical Specifications



Email | sales@hdsusa.us

Tel | +1 (832) 808-5116 Tel | +1 (832) 808-5164



HDS Chain No.		CA550-SD	CA550-SDF1	CA550-SDF2	CA550-SDF3	CA550H-SD	CA550H-SDF1	CA550H-SDF2	CA550H-SDF3	CA550-F1
Pitch	P/mm	41.4	41.4	41.4	41.4	41.4	41.4	41.4	41.4	41.4
Plate Depth	h2(Max)	19.05	19.05	19.05	19.05	19.1	19.1	19.1	19.1	19.05
Plate Thickness	T(Max)	2.65	2.65	2.65	2.65	3	3	3	3.05	2.65
Width Between Inner Plate	b1(Min)	20.1	20.1	20.1	20.1	20	20	20	20	21.1
Roller Diameter	d1(Max)	16.7	16.7	16.7	16.7	16.74	16.74	16.74	16.74	16.7
Pin Diameter	d2(Max)	7.16	7.16	7.16	7.16	7.14	7.14	7.14	7.14	7.16
Pin Length	L(Max)	34.8	34.8	34.8	34.8	36	36	36	36	34.8
Connecting Pin Length	Lc(Max)	37.4	37.4	37.4	37.4	39	39	39	39	37.4
Ultimate Tensile strength	Q(Min) KN	40	40	60	50	57.82	57.82	57.82	57.82	40
Attachment Dimensions	F	47.6	59	47.75	62	58	58	58	61.3	58
Attachment Dimensions	W	68	84	68.3	89	90	90	90	87	82.4
Attachment Dimensions	L1	31	20	31	20	20	20	20	21.5	20.5
Attachment Dimensions	L2	41	30.5	42.9	30	37	37	37	32	32
Attachment Dimensions	L3	36.9	44	36.9	32.5	32.5	32.9	33.4	33.5	27.4
Attachment Dimensions	d3	8.7	8.5X10.5	8.4	8.6	6.5	8.5	6.5	8.4	6.7