

S Series Roller Chains 2

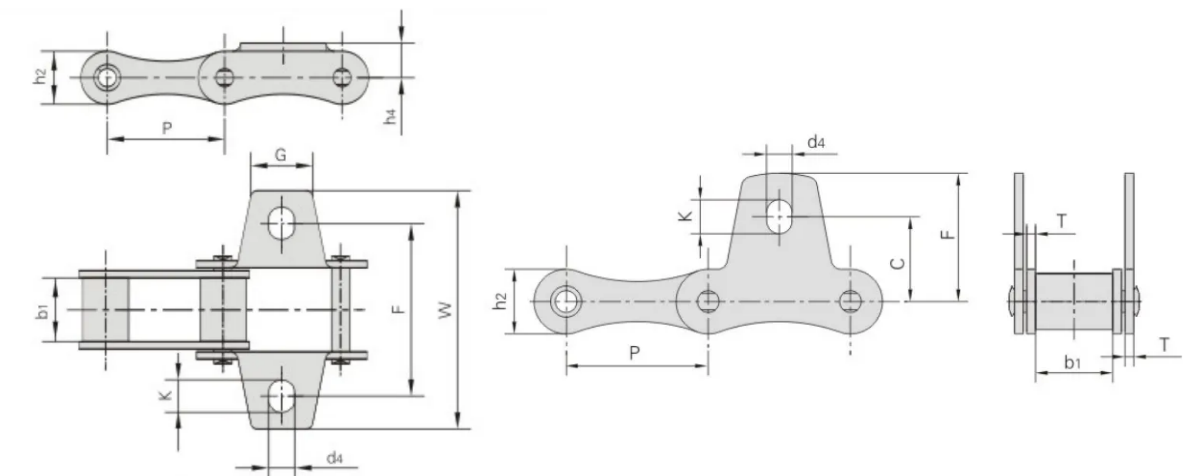


Features & Advantages



- HDS Agricultural roller chains are built with special steel rollers enhancing rotation on the bushing while reducing risk of wear and tear on the sprocket
- Optimized Heat Treatment Process
- All chain components are well surface-treated to achieve maximum strength and wear and fatigue resistance
- Agricultural chains are precisely Pre-loaded during manufacturing to minimize its initial elongation and improve its performance dramatically
- Chain plate: Made of high-quality medium carbon steel
- Electric plating technology makes our agri chains even stronger and more impact-resistant, increasing the durability and load-bearing features of Carbon Steel, which is a good choice to make as well Environmental protection super wear-resistant grease imported from Germany
- All components are manufactured to exact tolerances to provide optimal performance

Technical Specifications



Email | sales@hdsusa.us

Tel | +1 (832) 808-5116 Tel | +1 (832) 808-5164



HDS Chain No.		S32K1	S42K1	S45K1	S45K1N1	S45nK1	S52nK1	S55K1	S62K1	S77K1	S88K1
P	mm	29.21	34.93	41.4	29.21	34.93	41.4	41.4	41.91	58.34	66.27
b1	mm	15.88	19.05	22.23	15.88	19.05	22.23	22.23	25.4	22.23	25.58
G	mm	15	12.5	18.77	15	12.5	18.77	18.77	22	25	22
F	mm	42.9	54	55	42.9	54	55	55	66.8	76.2	97
W	mm	61	74.8	75	61	74.8	75	75	95.4	102	119.4
h4	mm	8.6	14	11.4	8.6	14	11.4	11.4	11.4	20.8	20.8
d4	mm	6.5	8.3	8.5	6.5	8.3	8.5	8.5	6.5	8.3	8.3
K	mm	8.1	11.5	11.5	8.1	11.5	11.5	11.5	13	11.5	9.9