

## S Series Roller Chains 1

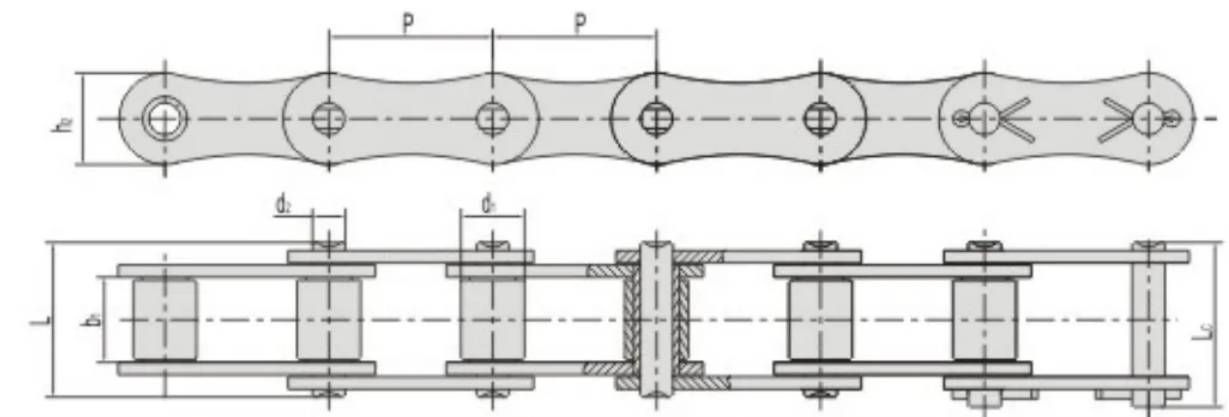


## Features & Advantages



- HDS Agricultural roller chains are built with special steel rollers enhancing rotation on the bushing while reducing risk of wear and tear on the sprocket
- Optimized Heat Treatment Process
- All chain components are well surface-treated to achieve maximum strength and wear and fatigue resistance
- Agricultural chains are precisely Pre-loaded during manufacturing to minimize its initial elongation and improve its performance dramatically
- Chain plate: Made of high-quality medium carbon steel
- Electric plating technology makes our agri chains even stronger and more impact-resistant, increasing the durability and load-bearing features of Carbon Steel, which is a good choice to make as well Environmental protection super wear-resistant grease imported from Germany
- All components are manufactured to exact tolerances to provide optimal performance

## Technical Specifications



Email | [sales@hdsusa.us](mailto:sales@hdsusa.us)

Tel | +1 (832) 808-5116 Tel | +1 (832) 808-5164



<b>HDS Chain No.</b>		<b>S32</b>	<b>S42</b>	<b>S45</b>	<b>S52</b>	<b>S55</b>	<b>S62</b>	<b>S77</b>	<b>S88</b>	<b>A550</b>	<b>A620</b>
<b>Pitch</b>	<b>P/mm</b>	29.21	34.93	41.4	38.1	41.4	41.91	58.34	66.27	41.4	42.01
<b>Width Between Inner Plates</b>	<b>b1(Max)</b>	15.88	19.05	22.23	22.23	22.23	25.4	22.23	25.58	19.81	24.51
<b>Roller Diameter</b>	<b>d1(Max)</b>	11.43	14.27	15.24	15.24	17.78	19.05	18.26	22.86	16.7	17.91
<b>Pin Diameter</b>	<b>d2(Max)</b>	4.45	7.01	5.74	5.74	5.74	5.74	8.92	8.92	7.16	7.16
<b>Pin Length</b>	<b>L(Max)</b>	26.7	34.2	36.9	36.9	36.9	40	43.3	49.7	34.5	41.5
<b>Inner Plate Depth</b>	<b>h2(Max)</b>	13.4	19.7	17.2	17.2	17.2	17.2	25.8	26	19.05	19.05
<b>Ultimate Tensile Strength</b>	<b>KN</b>	20	42.3	32.9	32.9	32.9	34.7	56.1	56.1	47.5	47.5