

## Roller Chains With REB Attachment 1

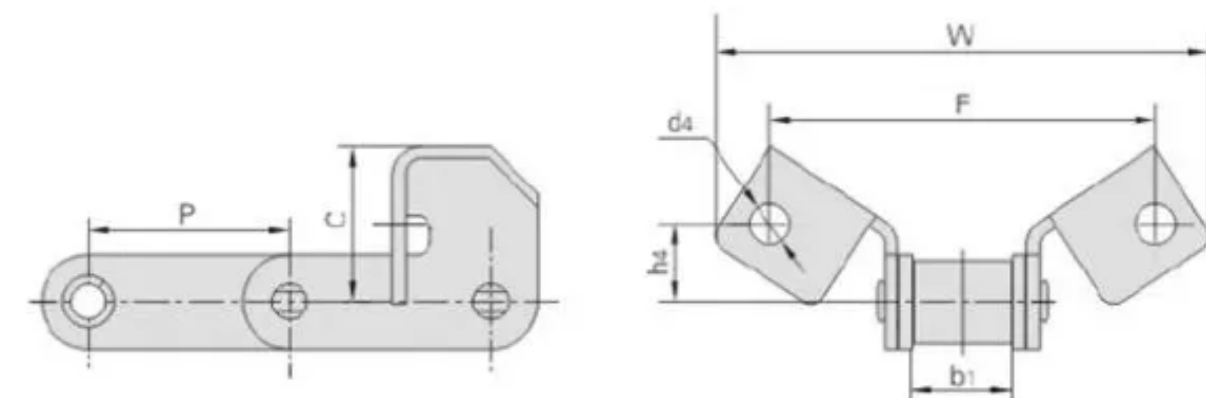


## Features & Advantages



- HDS Agricultural roller chains are built with special steel rollers enhancing rotation on the bushing while reducing risk of wear and tear on the sprocket
- Optimized Heat Treatment Process
- All chain components are well surface-treated to achieve maximum strength and wear and fatigue resistance
- Agricultural chains are precisely Pre-loaded during manufacturing to minimize its initial elongation and improve its performance dramatically
- Chain plate: Made of high-quality medium carbon steel
- Electric plating technology makes our agri chains even stronger and more impact-resistant, increasing the durability and load-bearing features of Carbon Steel, which is a good choice to make as well
- Environmental protection super wear-resistant grease imported from Germany
- All components are manufactured to exact tolerances to provide optimal performance

## Technical Specifications



Email | [sales@hdsusa.us](mailto:sales@hdsusa.us)

Tel | +1 (832) 808-5116    Tel | +1 (832) 808-5164



<b>HDS Chain No.</b>		<b>CA550-F5</b>	<b>CA550-F17</b>	<b>CA550V-REB</b>	<b>CA550HD-F5</b>	<b>CA550HD-F5N1</b>	<b>CA550HD-F13</b>	<b>CA550HD-F17</b>	<b>CA550HD-F17Y</b>
<b>P</b>	<b>mm</b>	41.4	41.4	41.4	41.4	41.4	41.4	41.4	41.4
<b>T</b>	<b>mm</b>	2.65	3	3.05	3	3	3	3	3
<b>C</b>	<b>mm</b>	31.8	41.4	31.75	31.8	31.8	59.6	41.6	41.6
<b>F</b>	<b>mm</b>	79.4	114	79.2	79.4	79.4	79.4	114.1	114.1
<b>W</b>	<b>mm</b>	101.6	141.5	107	104.8	104.8	135.4	147.8	147.8
<b>h4</b>	<b>mm</b>	15.9	20.5	15.8	14.5	14.5	28.6	16	20
<b>d4</b>	<b>mm</b>	6.75	10.2	10.5	9.9	8.5	8.8	9.9	9.9