

## Roller Chains With KI Attachment

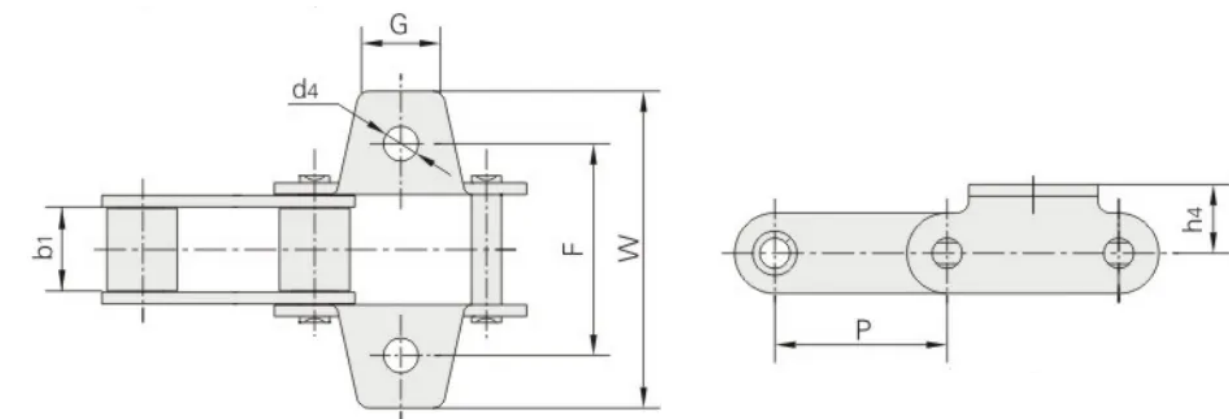


## Features & Advantages



- HDS Agricultural roller chains are built with special steel rollers enhancing rotation on the bushing while reducing risk of wear and tear on the sprocket
- Optimized Heat Treatment Process
- All chain components are well surface-treated to achieve maximum strength and wear and fatigue resistance
- Agricultural chains are precisely Pre-loaded during manufacturing to minimize its initial elongation and improve its performance dramatically
- Chain plate: Made of high-quality medium carbon steel
- Electric plating technology makes our agri chains even stronger and more impact-resistant, increasing the durability and load-bearing features of Carbon Steel, which is a good choice to make as well
- Environmental protection super wear-resistant grease imported from Germany
- All components are manufactured to exact tolerances to provide optimal performance

## Technical Specifications



Email | [sales@hdsusa.us](mailto:sales@hdsusa.us)

Tel | +1 (832) 808-5116    Tel | +1 (832) 808-5164



<b>HDS Chain No.</b>		<b>38.1R -K1</b>	<b>38.4VR -K19</b>	<b>CA550 -K19</b>	<b>CA550 -K25</b>	<b>CA550 -K1N1</b>	<b>CA550R -RAK1</b>	<b>CA550RV -K1</b>	<b>CA557 -K1</b>
<b>P</b>	<b>mm</b>	38.1	38.4	41.4	41.4	41.4	41.4	41.4	41.4
<b>b1</b>	<b>mm</b>	19.1	19.05	20.1	20.1	20.1	19.05	19.81	20.4
<b>G</b>	<b>mm</b>	18	20	22.2	22.2	22.2	20.8	22.7	18
<b>F</b>	<b>mm</b>	56.5	57.5	50.8	50.8	54	50.8	50.8	50.8
<b>W</b>	<b>mm</b>	78	82	71.4	71.4	71	76.6	75.5	72.2
<b>h4</b>	<b>mm</b>	17	15.4	12.7	12.7	12.7	15	16.5	15.9
<b>d4</b>	<b>mm</b>	8.5	9	6.75	8.33	10	8.5	8.7	8.7