

## 38 Series Roller Chains

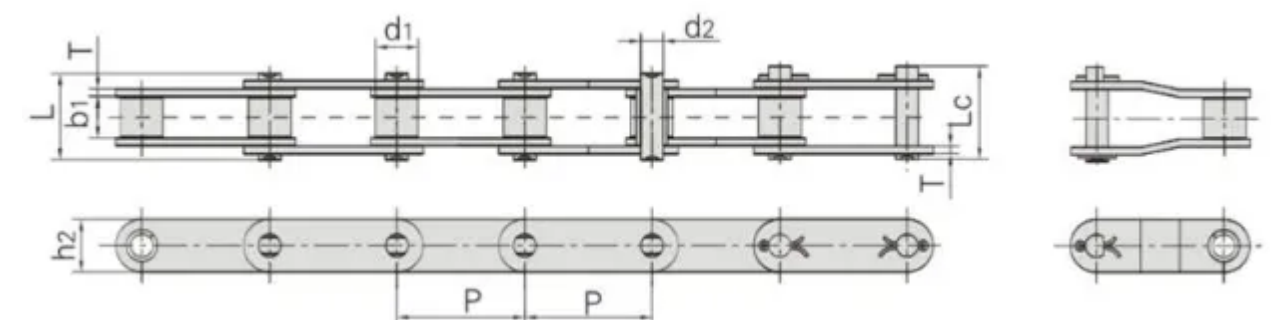


## Features & Advantages



- HDS Agricultural roller chains are built with special steel rollers enhancing rotation on the bushing while reducing risk of wear and tear on the sprocket
- Optimized Heat Treatment Process
- All chain components are well surface-treated to achieve maximum strength and wear and fatigue resistance
- Agricultural chains are precisely Pre-loaded during manufacturing to minimize its initial elongation and improve its performance dramatically
- Chain plate: Made of high-quality medium carbon steel
- Electric plating technology makes our agri chains even stronger and more impact-resistant, increasing the durability and load-bearing features of Carbon Steel, which is a good choice to make as well
- Environmental protection super wear-resistant grease imported from Germany
- All components are manufactured to exact tolerances to provide optimal performance

## Technical Specifications



Email | [sales@hdsusa.us](mailto:sales@hdsusa.us)

Tel | +1 (832) 808-5116 Tel | +1 (832) 808-5164



<b>HDS Chain No.</b>		<b>38.4R</b>	<b>38.4V</b>	<b>38.4VB</b>
Pitch	P/mm	38.4	38.4	38.4
Roller Diameter	d1(Max)	15.88	15.88	15.88
Width Between Inner Plate	b1(Min)	19.05	18	19.05
Pin Diameter	d2(Max)	6.92	6.92	8.28
Pin Length	L(Max)	33.4	33.8	35.6
Pin Length	Lc(Max)	36.2	36.25	38.8
Inner Plate Depth	h2(Max)	17.2	17.2	20.5
Plate Thickness	T(Max)	2.5	3.05	3.05
Ultimate Tensile Strength	KN	33	40	42.1
Weight Per Meter	KN/M	1.69	1.84	2.19