

Conveyor Chain With Hollow Pin-6

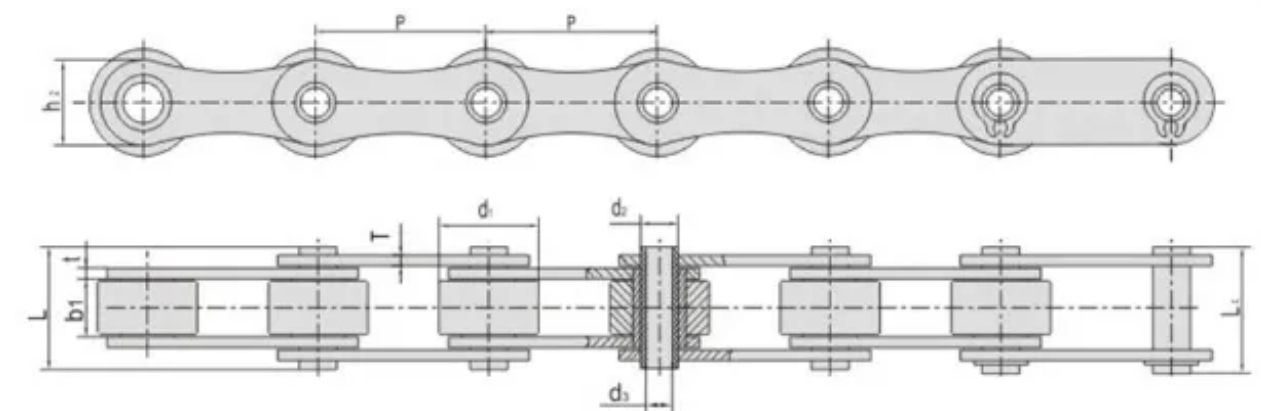


Features & Advantages



- High quality chain material.
- 100% Pre-stretching and excellent wear resistance.
- Roller made of high-quality medium carbon steel.
- Bush made of high-quality steel with case hardened.
- Chain plate made of high-quality medium carbon steel.
- Pin made of high-quality alloy steel.
- Imported environment-friendly super wear-resistant grease, whose adhesive thickness over 0.2mm.
- Chain twisting adjusted by specialized equipment, ensuring the same angle of twisting in two sides.

Technical Specifications



Email | sales@hdsusa.us

Tel | +1 (832) 808-5116 Tel | +1 (832) 808-5164



HDS Chain No.		HB25.4-F1	HB25.4-F2	HB 38.1	HB 38.1-F3	HB 38.1-F5	HB 41.75	HB 50	50.8 HP	HB50-F1	HB 100	HB50.8-F1	50.8H-HP	HB 63	HB63-F1	HB63-F6
Pitch	P/mm	25.4	25.4	38.1	38.1	38.1	41.75	50	50.8	50	100	50.8	50.8	63	63	63
Roller Diameter	d1(Max)	20	19	20	20	25.4	17.1	30	30	31	30	25	30	30	30	30
Width Between Inner Plates	b1(Min)	8	12.7	8	18	12.7	19.9	10.5	10.5	15	10.5	13.5	10.5	10.5	10	20
Pin Diameter	d2(Max)	8	7	8	10.45	12	11.1	11.5	11.5	13.2	11.5	7.8	11.5	11.5	11.7	11.7
Pin Diameter	d3(Max)	5.2	5.4	5.2	5.1	8.3	8.2	8.2	8.2	10.2	8.2	4.1	8.2	8.2	8.1	8.1
Pin Length	L(Max)	19.5	25.8	19.5	39	26.5	35.7	22.5	27.4	36.5	27.4	29	30.6	26.7	26.7	36.5
Pin Length	Lc(Max)	20.6	26.8	20.6	40.3	28	39	28.6	28.6	38	28.6	30.5	/	26.7	26.5	37.8
Inner Plate Depth	H2 (Max)	17	16.5	17	22	21	21.65	26	26	25	26	21.5	26	28.1	27.8	26
Plate Thickness	T	2.03	2.42	2.03	4	2.5	3.1	3.1	3.1	4	3.1	3	4	3.1	3.1	3
Ultimate Tensile Strength	Q(Min) KN	28	12	28	60	24	26.5	50	50	40	45	40	60	50	50	50
Average Tensile Strength	Q KN	30	13.5	30	65	25.5	28.5	55	55	45	50	44	65	55	55	55
Weight Per Meter	KG/M	1.29	1.76	0.98	2.52	1.41	1.6	2.26	2.34	3.26	1.8	2.12	2068	2.1	2.1	2.85
Type	/	B	B	B	B	B	B	B	B	B	B	B	B	B	B	B