

Fv Type Conveyor Chain

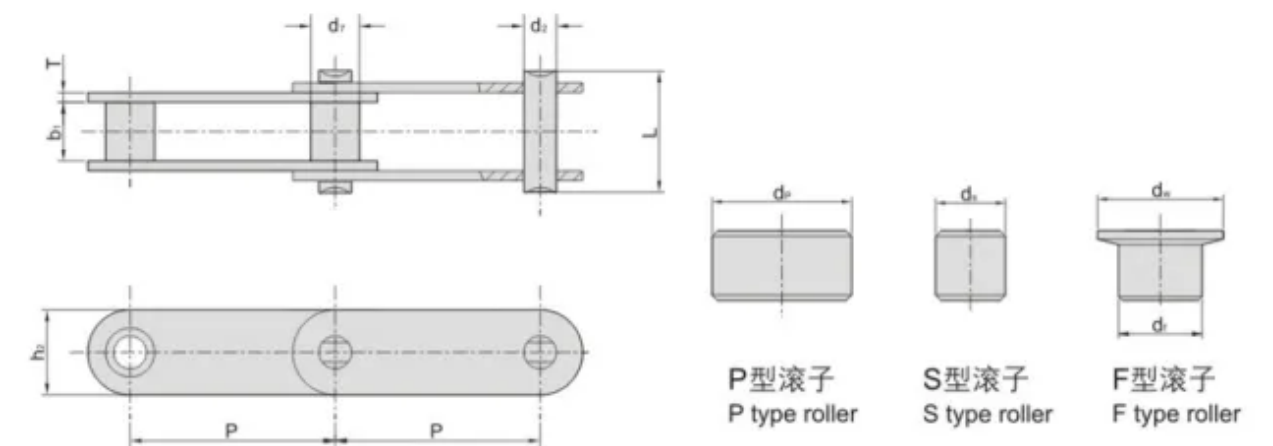


Features & Advantages



- High quality chain material
- 100% Pre-stretching and excellent wear resistance
- Roller made of high-quality medium carbon steel
- Chain plate made of high-quality medium carbon steel
- Fine-quality alloy-steel 40Cr for pin, greatly improving chain's tensile strength
- 20# seamless bush, carburized layer of heat treatment reaching 0.5mm, remarkably improving chain's wear-resistance performance
- Gas-shield welding for attachments, no loose welding or faulty soldering, prolonging chain's service life
- Hydraulic machine assembly, making good pin-plate verticality, no warp occurred in chain framework

Technical Specifications



Email | sales@hdsusa.us

Tel | +1 (832) 808-5116 Tel | +1 (832) 808-5164



HDS Chain No.		FV40			FV63				FV90					
Pitch	P/mm	40	63	100	63	100	125	160	63	100	125	160	200	250
Width Between Inner Plates	b1(Min)		18			22				25				
Bush Diameter	d7(Max)		15			18				20				
Pin Diameter	d2(Max)		10			12				14				
Pin Diameter	L(Max)		37			46				53				
Plate Dimensions	H2 (Max)		26			30				35				
Plate Dimensions	t/T		3			4				5				
Roller Dimensions	ds(Max)		20			26				30				
Roller Dimensions	dp(Max)		32/40			40/50				48/63				
Roller Dimensions	dw(Max)		48			60				73				
Ultimate Tensile Strength	Q(Min) KN		40			63				90				

**FV112****FV90**

Pitch	P/mm	100	125	160	200	250	100	125	160	200	250	315
Width Between Inner Plates	b1(Min)			30					35			
Bush Diameter	d7(Max)			22					26			
Pin Diameter	d2(Max)			16					18			
Pin Diameter	L(Max)			63					68			
Plate Dimensions	H2 (Max)			40					45			
Plate Dimensions	t/T			6					6			
Roller Dimensions	ds(Max)			32					36			
Roller Dimensions	dp(Max)			55/72					60/80			
Roller Dimensions	dw(Max)			87					95			
Ultimate Tensile Strength	Q(Min) KN			112					140			