

### Hollow Pin Stainless Steel Chain 2

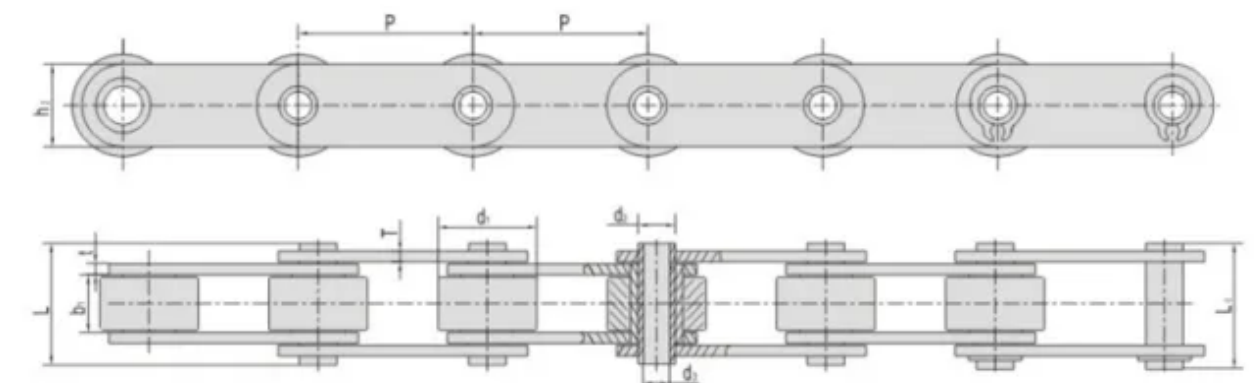


#### Features & Advantages



- Stainless steel material
- Moisture-proof
- Corrosion resistance
- Suitable for special occasions of strong acid/alkali, high/low temperature, humidity; etc
- Lubrication-free, clean on surface
- Suitable for occasions required of high degree of hygiene
- Used in applications with higher working loads
- Long service life

#### Technical Specifications



Email | [sales@hdsusa.us](mailto:sales@hdsusa.us)

Tel | +1 (832) 808-5116 Tel | +1 (832) 808-5164



<b>HDS Chain No.</b>		<b>C2042HPSS</b>	<b>C2052HPSS</b>	<b>C2062HPSS</b>	<b>C2082HPSS</b>
Pitch	P/mm	25.4	31.75	38.1	50.8
Bush Outer Diameter	d1(Max)	15.88	19.05	22.23	28.58
Width Between Inner	b1(Min)	7.85	9.40	12.57	15.75
Plate Depth	h2 (Max)	12.1	15	18	23.6
Pin Outer Diameter	d2(Max)	5.63	7.06	8.33	11.11
Pin inner Diameter	d3(Min)	4	5.13	5.97	8.03
Pin Length	L(Max)	16.6	20.5	25.3	32.7
Pin Length	Lc(Max)	17.6	21.9	26.8	33.8
Ultimate Tensile Strength	Q(Min)	6.8	10.6	16.1	26.8