

Pintle Chain

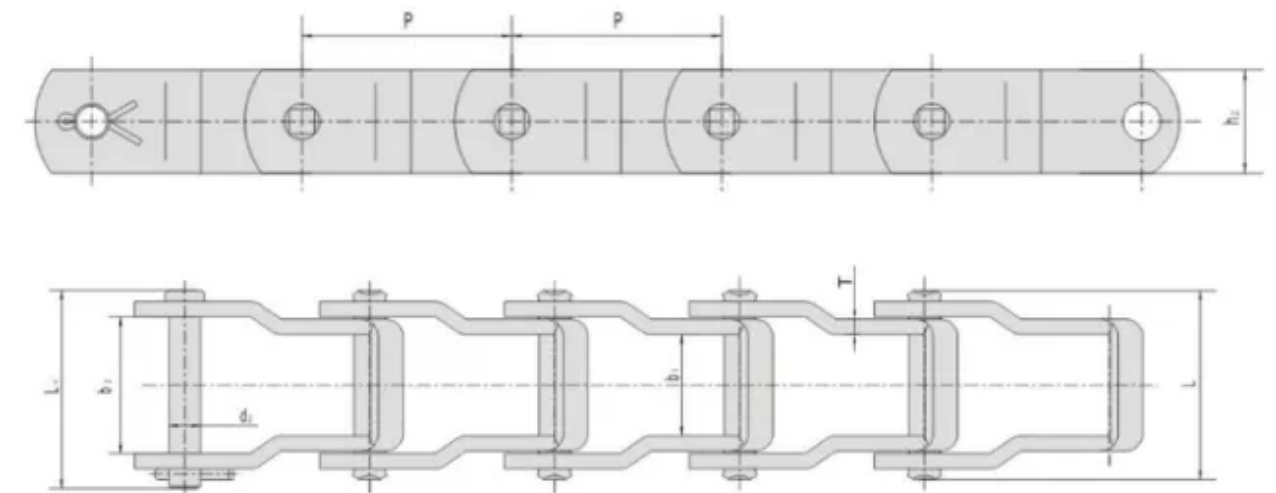


Features & Advantages



- All components of specialized chains are made from custom steel, ensuring a compact structure that allow sfree rotation of rollers and sleeves while reducing the risk of sprocket damage

Technical Specifications



Email | sales@hdsusa.us

Tel | +1 (832) 808-5116 Tel | +1 (832) 808-5164



HDS Chain No.		662	667X	667H	667J	665K	88K
Pitch	P/mm	42.27	57.15	58.75	57.15	57.15	66.27
Curve Plate Dimensions	b3	30.5	36.5	32.9	36.5	38.7	39.2
Curve Plate Dimensions	b1	23.2	27	25.6	27	27.4	27.8
Curve Plate Dimensions	h2	18.3	23.8	22.23	23.8	27.4	26.8
Curve Plate Dimensions	T	3.2	4.3	3.2	4.3	5.1	5.1
Curve Plate Dimensions	d2	7.14	11.1	7.92	9.52	11.1	11.1
Curve Plate Dimensions	L	41.3	50	43.7	50	55.5	55.5
Pin Dimensions	L3	41.5	53.5	40.5	53	60	58
Average Tensile Strength	Q(Min)	37.8	66.7	42.26	62.28	88.9	88.9
Weight Per Meter	Q KG/M	1.63	2.88	1.87	2.75	3.91	3.57